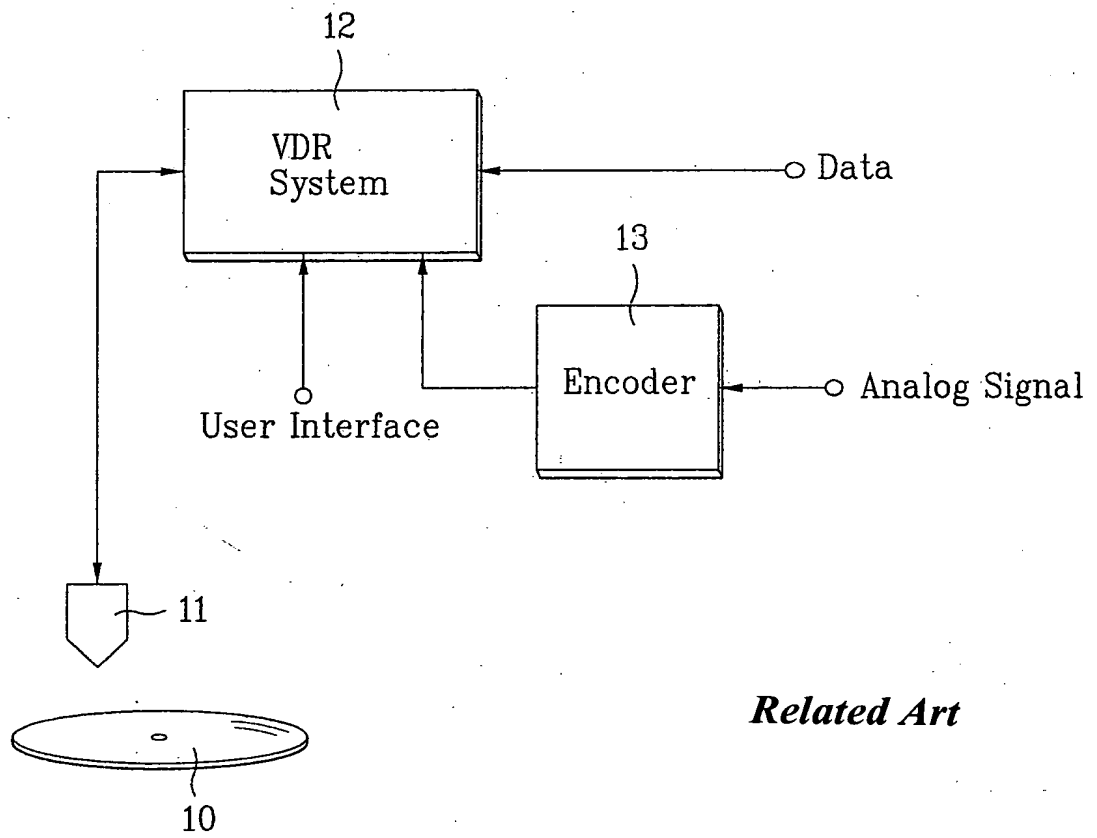


FIG. 1



Related Art

FIG. 2

